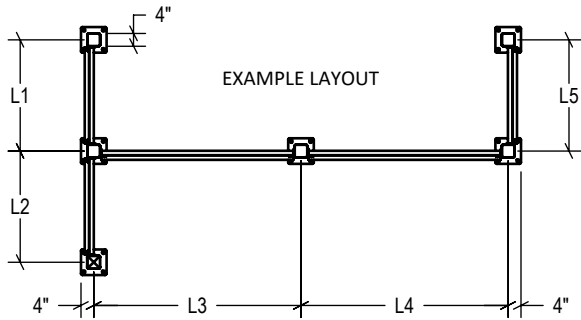


GUARDRAIL SYSTEM PLANNING

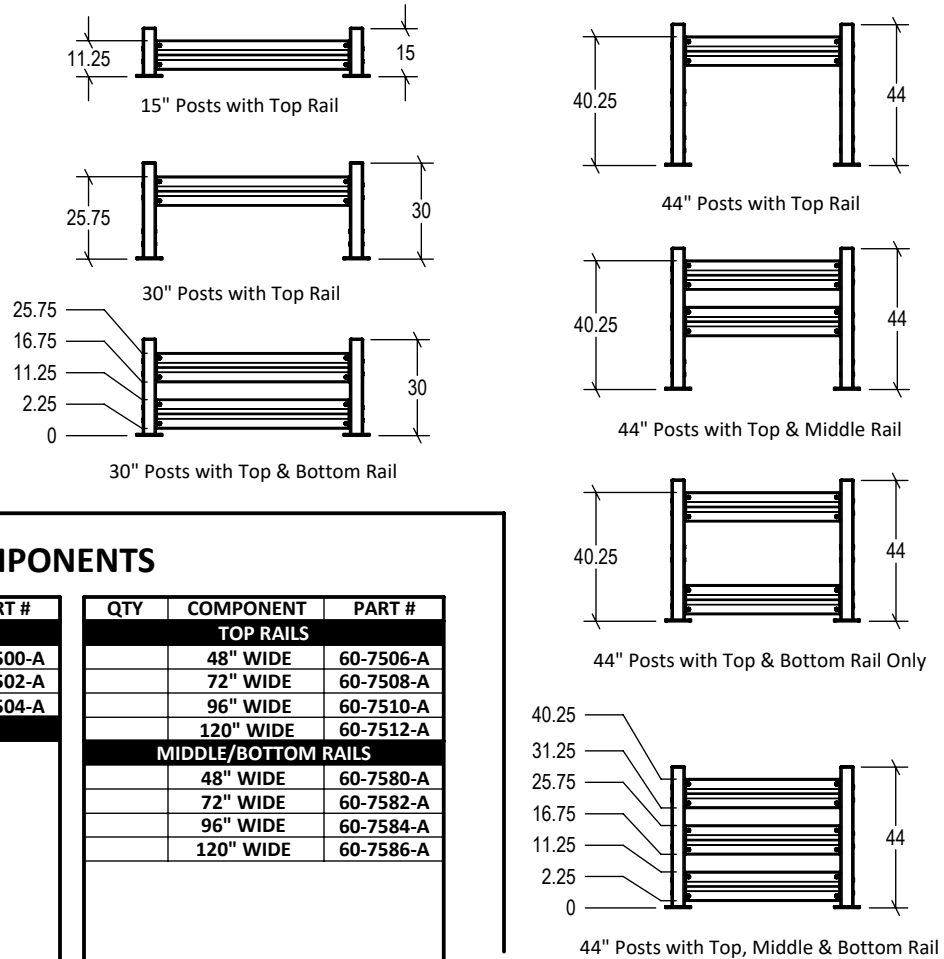
STEP 1: DETERMINE FLOOR LAYOUT

SKETCH LAYOUT IN PLAN VIEW WITH POST LOCATIONS AND RAIL SPACING

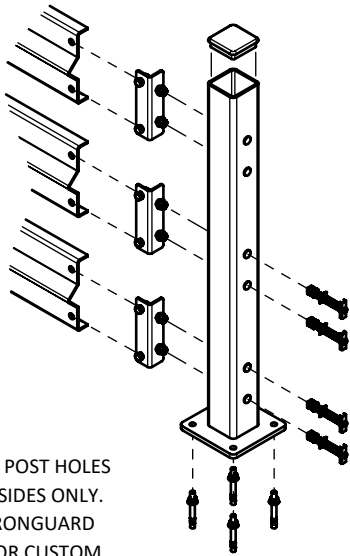


CENTER TO CENTER OF POST (L) = GUARDRAIL LENGTH + 4"
OUTSIDE DIMENSION OF POST BASE = 4"

STEP 2: CHOOSE POST SIZE AND RAIL CONFIGURATION



STEP 3: UNDERSTAND ASSEMBLY



NOTE:
RAIL ANGLE POST HOLES
ARE ON (3) SIDES ONLY.
CONTACT IRONGUARD
SUPPORT FOR CUSTOM
CONFIGURATIONS.

STEP 4: ORDER COMPONENTS

QTY	COMPONENT	PART #
POSTS		
	15" HIGH	60-7500-A
	30" HIGH	60-7502-A
	44" HIGH	60-7504-A
SPECIAL NOTES		

QTY	COMPONENT	PART #
TOP RAILS		
	48" WIDE	60-7506-A
	72" WIDE	60-7508-A
	96" WIDE	60-7510-A
	120" WIDE	60-7512-A
MIDDLE/BOTTOM RAILS		
	48" WIDE	60-7580-A
	72" WIDE	60-7582-A
	96" WIDE	60-7584-A
	120" WIDE	60-7586-A

DRAWN BY: TCHUNG	DATE: 2017-03-28
CHECKED BY:	DATE:

SIZE:
A

3rd Angle



THE INFORMATION CONTAINED IN THIS DRAWING IS THE SOLE PROPERTY OF IRONGUARD SAFETY PRODUCTS ANY REPRODUCTION IN PART OR AS A WHOLE IS PROHIBITED.

DESCRIPTION:
GUARDRAIL SYSTEM PLANNING

SCALE: 1:60	SHEETS: 1 of 1	DRAWING NUMBER: 1618-Customer Sheet1	REV: A
----------------	-------------------	--	------------------