

INSTALLATION NOTES

INSPECT THE SITE AND ENSURE ALL PARTS ARE PRESENT

CLEAN THE AREA OF ANY DEBRIS BEFORE INSTALLING GUARDRAILS AND ACCESSORIES

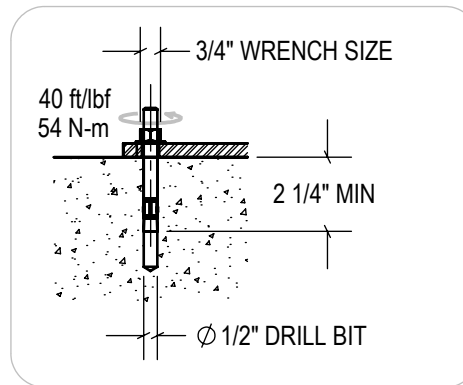
SAFETY PRECAUTIONS

USE APPROPRIATE PERSONAL PROTECTIVE EQUIPMENT SUCH AS GLOVES, SAFETY GLASSES, HEARING PROTECTION AND PROTECTIVE SHOES.

ANCHOR BOLTS

THE SUPPLIED ANCHOR BOLTS REQUIRE AN MINIMUM EMBEDDED DEPTH OF 2-1/4"

TIGHTEN THE NUT TO THE INSTALLATION TORQUE OF 40 ft/lbf [54 N-m]

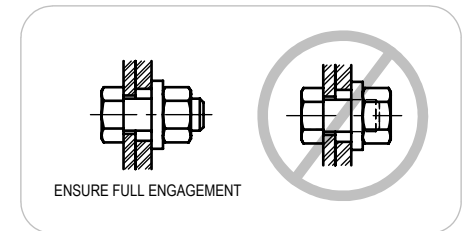


BOLT TIGHTENING

INITIALLY TIGHTEN THE JOINT TO A SNUG TIGHT CONDITION. SNUG TIGHT IS WHEN THE BOLTED CONNECTION HAS BEEN TIGHTENED TO A POINT WHERE ALL THE COMPONENTS ARE IN FIRM CONTACT.



ENSURE THAT THE NUT IS FULLY ENGAGED WITH THE BOLT AND THAT A FEW THREADS PROJECT FROM THE REAR OF THE BOLT AFTER THE JOINT IS IN A SNUG TIGHT CONDITION. OTHERWISE, A LONGER BOLT WILL BE NEEDED TO ENSURE FULL STRENGTH.

DO NOT OVERTIGHTEN BOLTS. ONLY TIGHTEN THE JOINT BY 1/3 OF A TURN PAST THE SNUG TIGHT CONDITION

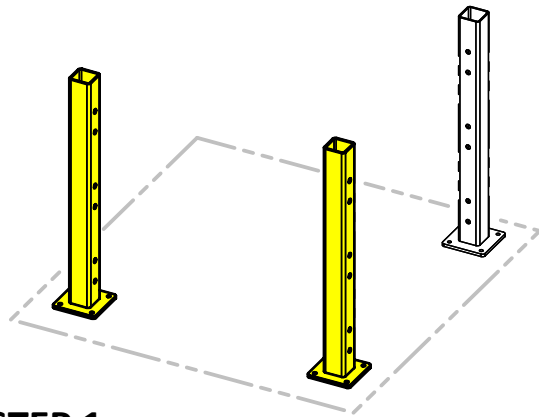


TOOLS REQUIRED FOR INSTALLATION

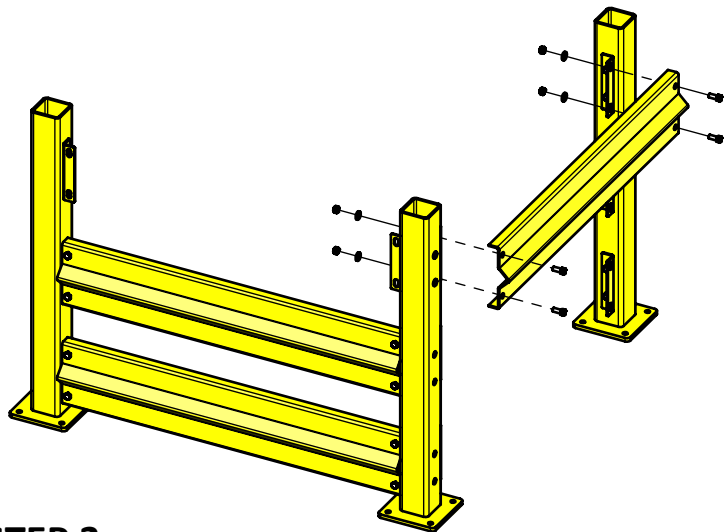
- MEASURING TAPE
- CHALK LINE
- 2FT LEVEL
- HAMMER DRILL WITH A 1/2" DRILL BIT
- 3/4" SOCKET AND WRENCH

 3rd Angle	SIZE: A	
DESCRIPTION: GUARDRAIL SYSTEMS INSTALLATION		
SCALE: NTS	SHEETS: 1 of 1	DRAWING NUMBER: INS-01.01-R1

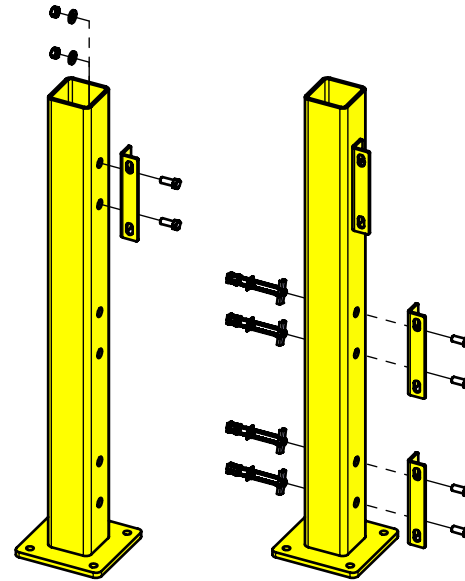
INSTALLATION INSTRUCTIONS





STEP 1:
POSITION POSTS IN THE DESIRED LOCATION
MEASURE AND MARK LAYOUT.
DO NOT LAG POSTS TO THE FLOOR.



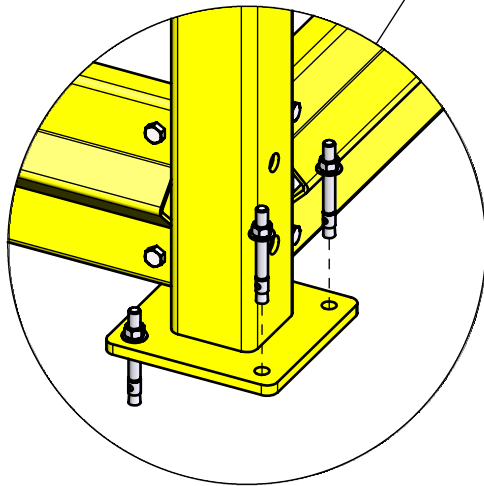
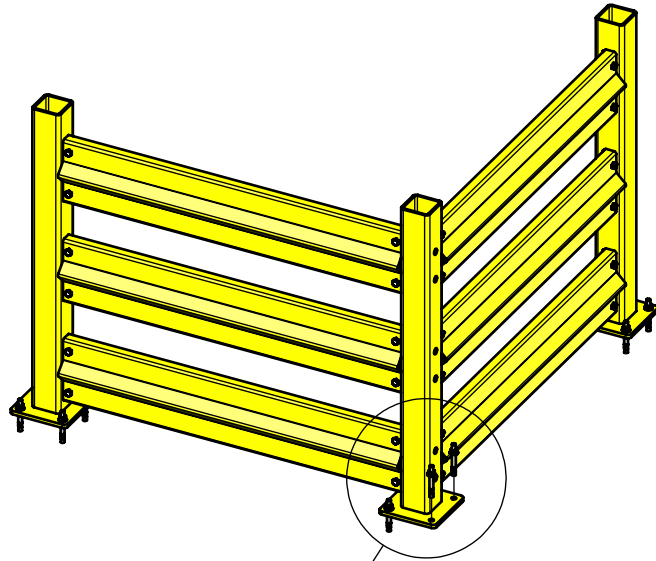
STEP 3:
ATTACH THE RAILS TO THE POSTS
• ENSURE THAT ALL CONNECTIONS ARE
HAND-TIGHT TO ALLOW FOR ADJUSTMENTS



STEP 2:
ASSEMBLE BRACKETS TO THE POSTS
• USE NUT, WASHER & BOLT FOR TOP POSITION
• USE BOLT/WASHER & STRAP TOGGLE FOR OTHER POSITIONS

 3rd Angle	SIZE: A	
DESCRIPTION: GUARDRAIL SYSTEMS INSTALLATION		
SCALE: 1:32	SHEETS: 1 of 2	DRAWING NUMBER: INS-05.01-R1

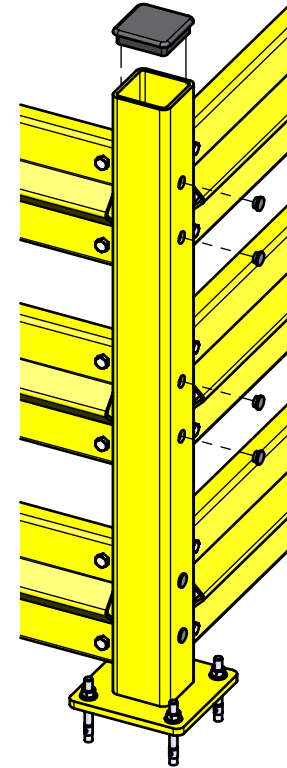
INSTALLATION INSTRUCTIONS



DETAIL A
SCALE 1 : 8



STEP 4:

- CHECK THE POSITION OF THE POSTS & RAILINGS TO ENSURE SQUARENESS & ALIGNMENT
- IF SATISFIED, LAG POSTS TO THE FLOOR USING PROVIDED ANCHORS AND SPECIFICATIONS



STEP 5:

- ADD POST CAPS & PLUGS
- ADD POST PLUGS TO UNUSED HOLES BY GENTLY PUSHING INTO PLACE

 3rd Angle	SIZE: A	
DESCRIPTION: GUARDRAIL SYSTEMS INSTALLATION		
SCALE: 1:24	SHEETS: 2 of 2	DRAWING NUMBER: INS-05.01-R1