



CANADA: 670 ROWNTREE DAIRY RD., UNIT 1, WOODBRIDGE, ONTARIO L4L 5T8
TEL: (905) 850-2929 FAX: (905) 850-2922

INSTALLATION INSTRUCTIONS: F-MODEL INFLATABLE DOCK SEAL

SUGGESTED MOUNTING METHODS

Three (3) anchors per frame member recommended -- one at center and one near each end. Use more if necessary.

- (A) **CONCRETE BLOCK OR BRICK WALL:** Use 3/8" X 3" expansion anchors. Use through bolt fastening if anchors will not hold -- 3/8" threaded rod is recommended (supplied by others).
- (B) **PRECAST CONCRETE:** Same as above
- (C) **METAL SIDING BUILDING:** Through bolt fastening as above (supplied by others). Use a back up plate (steel or wood) to support bolts. Another alternative is to use wood lags with back plate from inside building to back of seal.

SUPER SEAL MFG. LTD. WILL NOT BE HELD RESPONSIBLE FOR; IMPROPER INSTALLATION OF ANCHORING DEVICES, OR INSTALLATION INTO AGED OR UNSOUND CONCRETE, CONCRETE BLOCK OR OTHER WALL OR FLOOR MATERIAL, WHICH MAY RESULT IN PREMATURE PRODUCT WEAR, PRODUCT FAILURE, PROPERTY DAMAGE, OR PERSONAL INJURY.

1. **READ INSTRUCTIONS THROUGH COMPLETELY BEFORE INSTALLATION:**
2. **MEASURE DOOR TO ENSURE THE PROPER DIMENSIONS:**
3. **REVIEW PARTS LIST TO ENSURE THAT ALL PARTS HAVE BEEN SUPPLIED:**
4. **DETERMINE CENTERLINE OF DOOR OPENING AND HEAD PAD:** Locate centerline of door opening and mark on dock floor. Take 1/2 the head frame width and mark this distance on both sides of the door centerline.

Note: This will determine the outside position of each vertical frame.
5. **DETERMINE POSITION OF VERTICAL FRAME BOTTOM EDGES:** Typically level with dock floor.
6. **MARK AND DRILL HOLES FOR 3/8" SLEEVE ANCHOR BOLTS:** At center and 12" from each end of each vertical frame, mark and drill holes for 3/8" sleeve anchor bolts.
7. **MOUNT VERTICAL FRAMES TO WALL:** Outside edge of vertical frame should be placed on mark from Step #4 and bottom edge on mark from Step #5. Be sure frames are plumb from top to bottom. Fasten the Vertical frame using 3/8" x 3" sleeve anchors. **FRAMES TO BE MOUNTED PLUMB AND SQUARE.**
8. **MARK AND DRILL HOLES FOR 3/8" SLEEVE ANCHOR BOLTS:** At center and 12" from each end of the head frame, mark and drill holes for 3/8" sleeve anchor bolts.
9. **MOUNT HEADER FRAME:** Place 2" X 8" head frame flush with building wall and vertical frames (Isometric). Fasten to wall using 3/8" x 3" sleeve anchor bolts.
10. **MOUNT AIR BAG TO FRAME:** Align the air bag with the frame at the top corners of frame -- fasten at each corner using No. 14 wood screws. Working across the top and then down each side, at each grommet hole, use the hardware provided (No. 14 wood screws) to fasten the air bag to the frame (Detail).



CANADA: 670 ROWNTREE DAIRY RD., UNIT 1, WOODBRIDGE, ONTARIO L4L5T8
TEL: (905) 850-2929 FAX: (905) 850-2922

- 11. MOUNT MOTOR/BLOWER AND HOOD:** At motor/blower hole locations, use 3/8" x 1-7/8" sleeve anchors to mount motor/blower on wall, directly above air connector. At hood hole locations, use 3/8" x 1-7/8" sleeve anchors mount hood on wall (Detail C). **14 FOOT MINIMUM CLEARANCE REQUIRED FROM BOTTOM OF PROTECTIVE HOOD TO GRADE.**

Note: It is important that the Motor/Blower be well protected and therefore the only allowable portion to be exposed is the throat portion of the motor/blower.

- 12. CONNECT AIR BAG TO MOTOR BLOWER:** Release strap from Motor/Blower and slide it around material throat of air bag. Pull material over fan throat, ensuring that air will flow without interference of gathered material. Secure into place with strap.

Note: It may be necessary to trim off some of the excess material. If so be careful not to cut off too much.

- 13. MOUNT RETRACTION CORDS (EXCLUDING F-14):** Along the header portion of the Model F-18/F22 there are three "D" rings. At these locations, secure one bungee cord to each "D" ring. Measuring on a 45° angle from header frame corner locations measure 3' up + or - 6" and mount 3/8" X 1-7/8" sleeve anchor. Hook corner bungee cord to 3/8" X 1-7/8" sleeve anchor. Measuring perpendicular (90°) from center of header frame measure 3' up + or - 6" and mount a 3/8" X 1-7/8" sleeve anchor. Hook center bungee cord to 3/8" sleeve anchor (See Side View).

Note: The bungee cords must prevent the air bag from sagging into the opening. Therefore it is **IMPORTANT** to test the operation of the unit to ensure that the air bag is not being pulled too much by the bungee cords as well as ensuring that sagging of the air bag into the opening does not occur.

- 14. CAULK BETWEEN HEAD FRAME AND WALL:** Outside only. A silicone or butyl rubber caulk is recommended.

Note: If mounting on a siding or pre-cast building, fill in gaps with styrofoam.

- 15. MOUNT MOTOR/BLOWER ON/OFF SWITCH:** Install Motor/Blower switch at a location desired by the customer.

Note: all electrical hook-ups must be done by a **licensed electrician**.

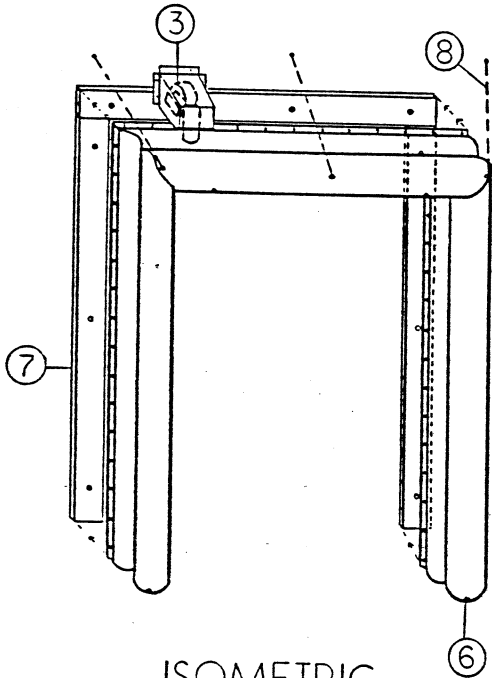
PARTS LIST

QUANTITY

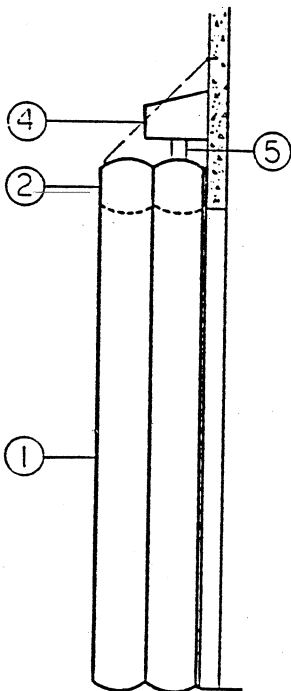
Air bag.	1
1/12 H.P. Motor/blower	1
Galvanized steel hood.	1
Air connector duct.	1
Air vents.	
Kiln-dried pressurized wood backing.	
Header	1
Vertical	1
24" Elastic Retraction cords.	2

PRODUCT DESCRIPTION

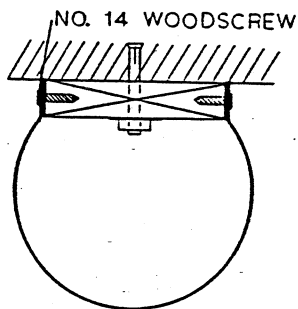
1. Vertical air bag.
2. Header air bag.
3. Motor/blower
4. Galvanized steel hood.
5. Air connector duct.
6. Air vents.
7. Kiln-dried pressurized wood backing.
8. Elastic Retraction cords (Excluding F-14)



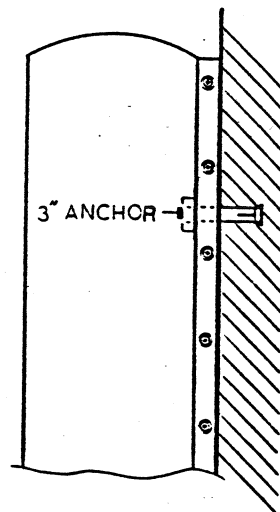
ISOMETRIC



SIDE VIEW



DETAIL 'A'



DETAIL 'B'