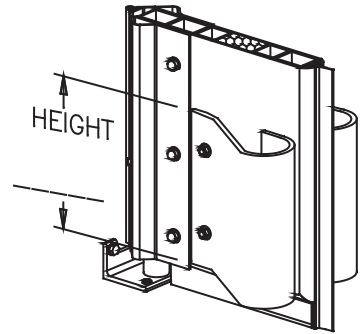
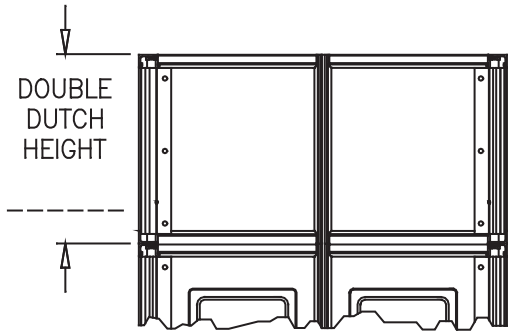
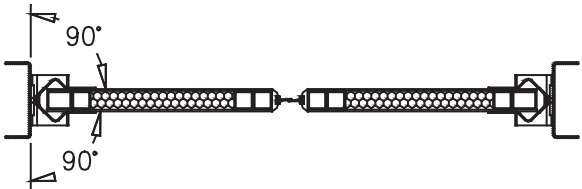
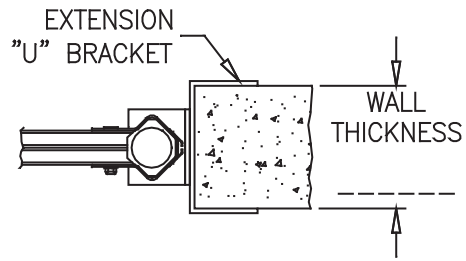


KICKPLATE



SPRING BUMPER



DOUBLE DUTCH

- 1 - TOP HINGE ASSEMBLY
- 2 - BOTTOM HINGE ASSEMBLY
- 3 - 1/8" "TUFF PLAS" COLOR FACE PANEL
- 4 - 1/8" SEALED DOUBLE THERMOPANE WINDOW
- 5 - CHROMED STEEL DOOR FRAME PROFILE
- 6 - PVC EDGE TRIM C/W GASKET
- 7 - BUBBLE GASKET
- 8 - INJECTED INSULATING FOAM

*** RECOMMENDED FRAMING REQUIREMENTS:
 1/4" THICK x 4" (4701) OR 6" (4702) WIDE FACE STEEL FRAME
 MOUNTED TO A SOLID FOUNDATION.

SELECT MODEL:

- 4701
- 4702

DOOR OPENING:

_____W _____H

- DOUBLE
- SINGLE

QUANTITY: _____

COLOR: _____

OPTIONS (CHECK BOX IF APPLICABLE)

- 5/16" THICK HDP SPRING BUMPERS
- CUSTOM WINDOW DESIGN
 _____W _____H
- 9 1/4" JAMB GUARDS
 (NO WIDE ANGLE JAMB GUARDS)

KICK PLATES

- 1/4" ABS -COLOR: _____
- 1/2" HDP -COLOR: _____

- WIDE ANGLE HINGE
- CHAIN LOCKING COLLAR

CANE BOLT

- 12" TOP
- 46" BOTTOM

PROTECTIVE BOLLARDS

- 24"
- 36"

- EXTENSION "U" BRACKET
- HOLD OPEN DEVICE
- STAINLESS STEEL
- DOUBLE DUTCH

S.S. QUOTE REF. # _____
 CUSTOMER _____
 APPROVED BY: _____
 P/O No.: _____
 DATE: _____



SERIES 4700-MODELS 4701/4702
 SUPER "TUFF" RIGID ISULATED IMPACT DOOR

DATE: NOV-29-04	SCALE: 1:32
DRAWN: OC	DWG NO: L4700-B
APPROVED: RT	PART NO: 15-0052