

HDC-DD

High Cycle Doors

DIRECT DRIVE SPRINGLESS



TNR[®] combines rugged durability with high performance drive systems. Rubber roll-up doors are built for demanding industrial and commercial applications for:

HARSH ENVIRONMENTS

dirt, dust, rain, snow, temperature

HIGH TRAFFIC

and continual process flow demands

DOOR IMPACT CONCERNS

moving lift trucks, heavy equipment

HIGH WINDLOAD & PRESSURE DIFFERENTIAL

caused by exterior wind & positive pressure work environments



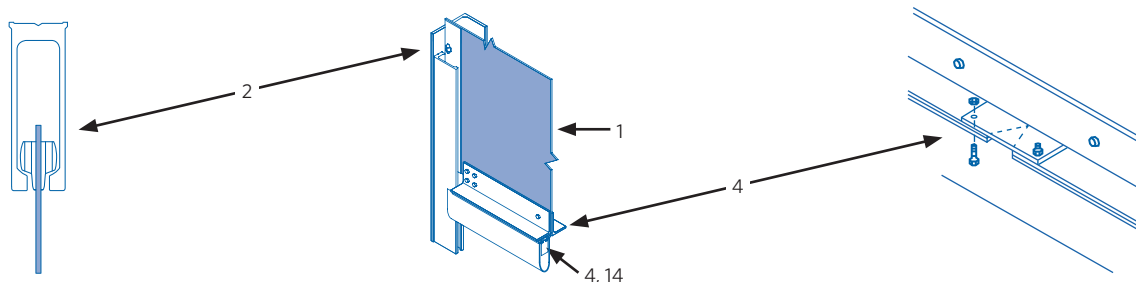
***Tough 'n' Ready
For Your Challenging
Environments***

HIGH CYCLE SPRINGLESS DOORS

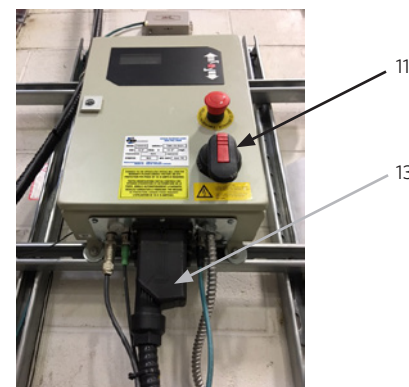
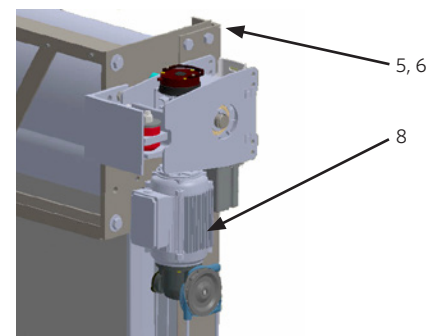
Applications: Manufacturing, food processing, automotive, bus transit stations, postal distribution, airports and railways.

Process & Maintenance Engineers recognize the value of proven durability and reliable, high speed performance.

	Mechanical Feature	Description	Benefit
1	Rubber Curtain Material Limited Lifetime Warranty	1/4" thick SBR rubber with polyester core weave reinforcement. Standard Black. Optional Grey, Blue EPDM rubber.	Durable, flexible and resistant to harsh environments and impacts in temperatures from -40°F to 180°F.
2	NEWGEN® Guide and Curtain Lok™ System - Limited Lifetime warranty	Patented curtain retention system that releases upon impact.	Reliable and consistent door operation, withstand repeated impacts, quick to repair and reset, no guide gap maintenance required.
3	Door Size - W x H	From 8' x 8' up to 20' x 20' and 25' x 15'	Offers a valuable high performance door replacement to traditional commercial sectional doors in a wide range of common applications.
4	Knock-away Bottom Bar & Loop Seal	Double-angle steel design with knock-away plate and EPDM rubber loop	After impact door is easily reset with standard fasteners, large rubber loop seals to uneven floors.
5	Endplate & Mounting Angles	Simply designed support structures to accommodate easy and versatile installation.	Reduce installation cost and minimal clearances required around door opening. Reduce maintenance costs.
6	Self Supporting Frame	Steel mounting angles, pre-drilled and painted.	Allows for quick and easy installation of door system.
7	Mechanical Options	Colours, windows, Front/top hoods, traveling windbar, guide guards, MSHA-rated self-extinguishing curtain	Customize for environment, safety and convenience.



	Electrical Feature	Description	Benefit
8	HDC-DD Direct Drive System 5 years or 1 million cycles	Heavy Duty Gear Head Direct Drive Operator includes operator and gearbox with integrated safety brake. Variable frequency drive integrated with control panel.	Motor and gearbox design eliminates need for counterbalance springs. Maintenance free safety brake. Smooth, quiet operation with soft-start/soft-stop.
9	HDC Chain Drive System 5 years or 1 million cycles	High Efficiency Helical Gear Head (HG) Operator includes operator and gearbox with standard inertia safety brake on doors over 20' wide or 10' high.	Motor and gearbox design eliminates need for counterbalance springs. Smooth, quiet operation with soft-start/soft-stop.
10	Open/Close Door Speeds	HDC-DD up to 48/30 inches per second HDC up to 30/20 inches per second	Fast door operation reduces HVAC costs, increases productivity.
11	Control Panel	Multi-function capacity PLC with inverter drive for soft-start/soft-stop. NEMA 4 metal enclosure, wall mount.	Easy standard setup, reliable operation, easy troubleshooting. Panel mounted door control buttons, E-stop and rotary disconnect.
12	Photoeyes	Guide-mounted through-beam photoelectric sensor	Reliable safety feature that reverses door travel if obstructed.
13	Plug and Play cable system (optional)	Cabling and connectors at control panel and operator.	Provides quick and easy installation, setup and maintenance of door system.
14	Reversing Edge	Pressure sensitive, wireless connection.	Provides reliable safety, easy installation, low maintenance.
15	Activation Options	Remote controls, pull cords, loop & motion detectors and more.	Accommodates a wide range of applications, increases safety and convenience of use.



Toll-free 1-866-792-9968 Fax 1-705-735-9564 info@tnrdoors.com TNRdoors.com



Copyright© 2018 TNR Industrial Doors Inc. All rights reserved. All trademarks and registered trademarks are the property of their respective owners. Specifications subject to change.
Canadian Patents - 2446648, 2436381, 2463208, 2737124. US Patents - 7516770, 6942003, 8291960.