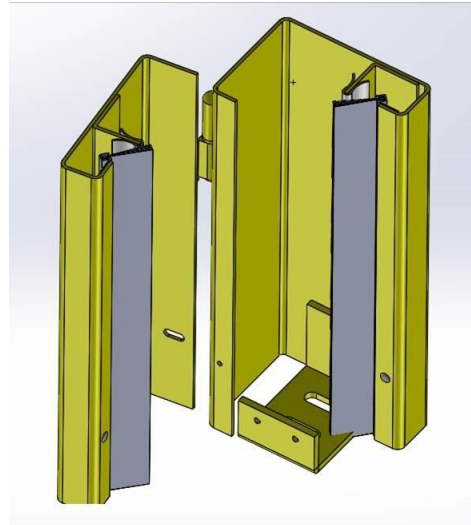


ADV-X HIGH SPEED DOORS GUIDE OPTIONS

FEATURES

- Heavy duty 0.188" thick impact resistant steel construction
- Hinged guide
- Full-length UHMW wear strips
- Full-length weather seals
- Full-length wind bar
- Bottom wind stop plate
- Standard powder coat color: Safety Yellow

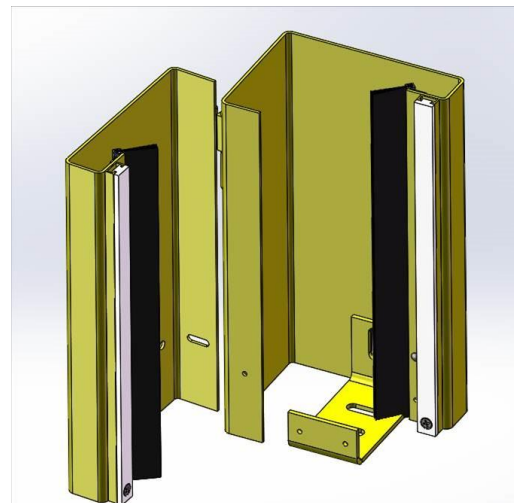
GUIDE TYPE FOR MODEL 881



FEATURES

- Heavy duty 6"x6"x3/8" wall and front angles, constructed of high strength, impact-resistant steel construction
- Flexible breakaway middle angle
- Obstruction detection (photo eye) shield
- Standard powder coat color: Safety Yellow

GUIDE TYPE FOR MODEL 882-883

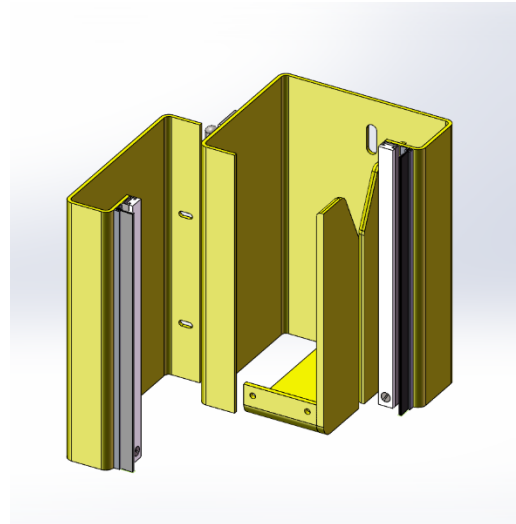


ADV-X HIGH SPEED DOORS
GUIDE OPTIONS

FEATURES

- Heavy duty 0.188" thick impact resistant steel construction
- Hinged guide
- Full-length UHMW wear strips
- Full-length weather seals
- Full-length wind bar
- Bottom wind stop plate
- Standard powder coat color: Safety Yellow

GUIDE TYPE FOR MODEL 884



FEATURES

- Heavy duty 6"x6"x3/8" wall and front angles, constructed of high strength, impact-resistant steel construction
- Flexible breakaway middle angle
- Obstruction detection (photo eye) shield
- Standard powder coat color: Safety Yellow

GUIDE TYPE FOR MODEL 885

