

MOTOR SPECIFICATIONS:

1/2 HP motor to include a TENV motor, reversing magnetic controller in NEMA 1 enclosure, planetary gearbox for drive reduction, electric brake and an auxiliary chain operator. Includes UL listed thermal overload protection, rotary limit switches, safety edge circuit and transformer with 24 volt control secondary, and delay on reverse. Pre-wired to a terminal block using color coding of the wires to facilitate troubleshooting.

ELECTRICAL EQUIPMENT LIST:

1 - Three button push button station 'OPEN-CLOSE-STOP' in NEMA 1 enclosure, surface mounted.

BOTTOM BAR LOCKING:

QUANTITY & MARK:

(1) 001

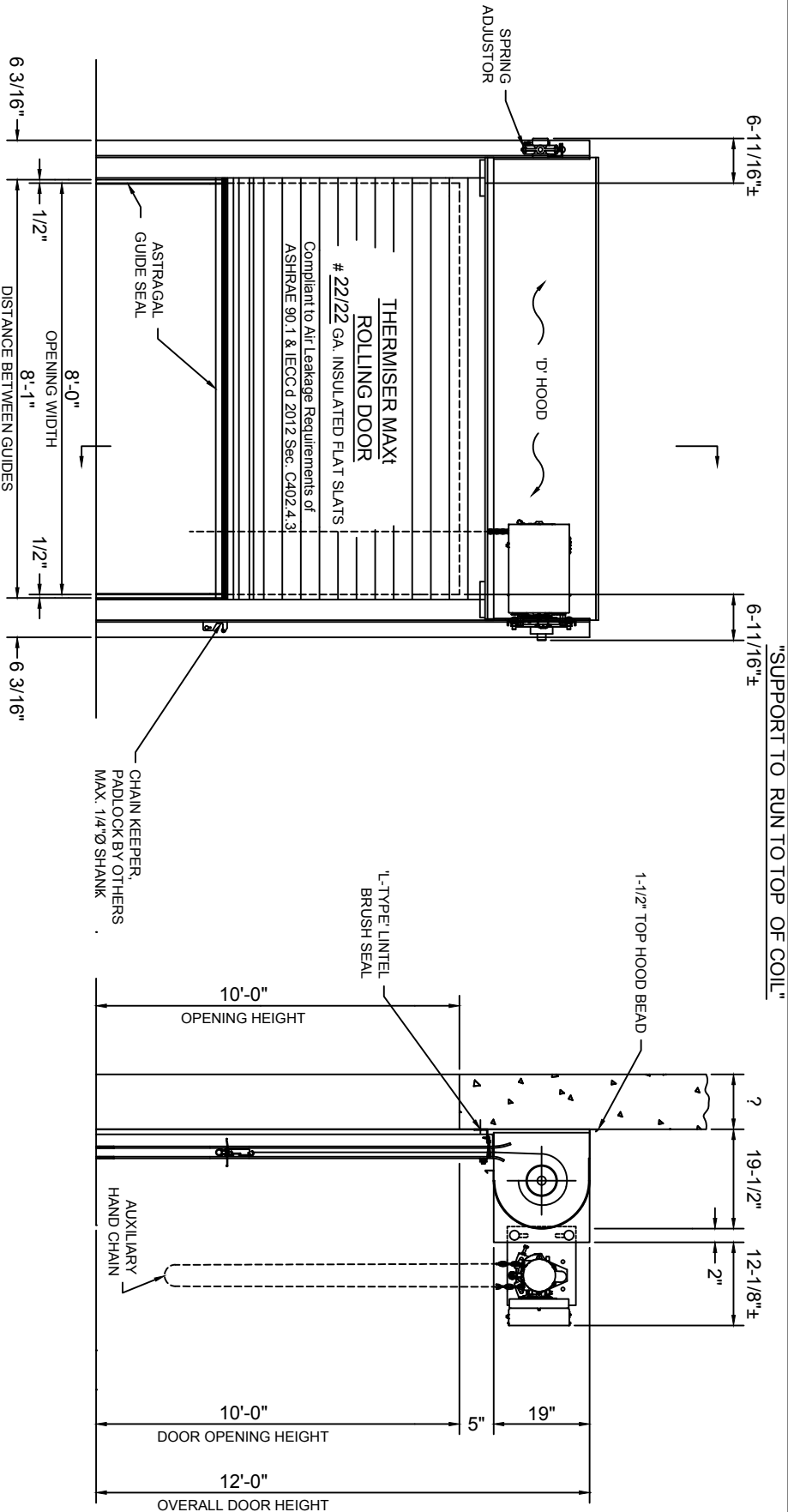
MATERIAL & FINISH:

- Front slat - Galvanized steel with Galvanex™ coating system. Finish color: Gray
- Back slat - Galvanized steel with Galvanex™ coating system. Finish color: Gray
- Bottom Bar - Extruded aluminum, mill finish
- Guides - Structural steel; Gray polyester powder coating
- Hood - Galvanized steel with Galvanex™ coating system. Finish color: Gray
- Plain Steel - Powder coated gray

CURRENT CHARACTERISTICS:

120 V 1 PH 60 HZ

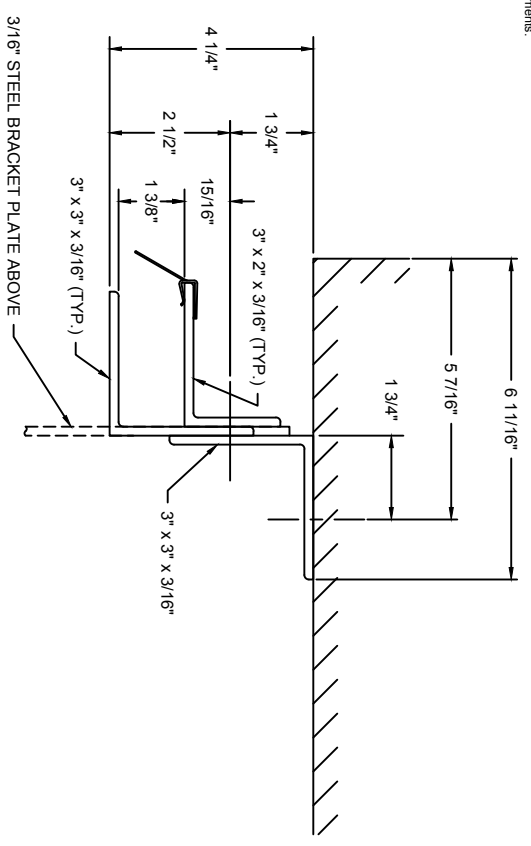
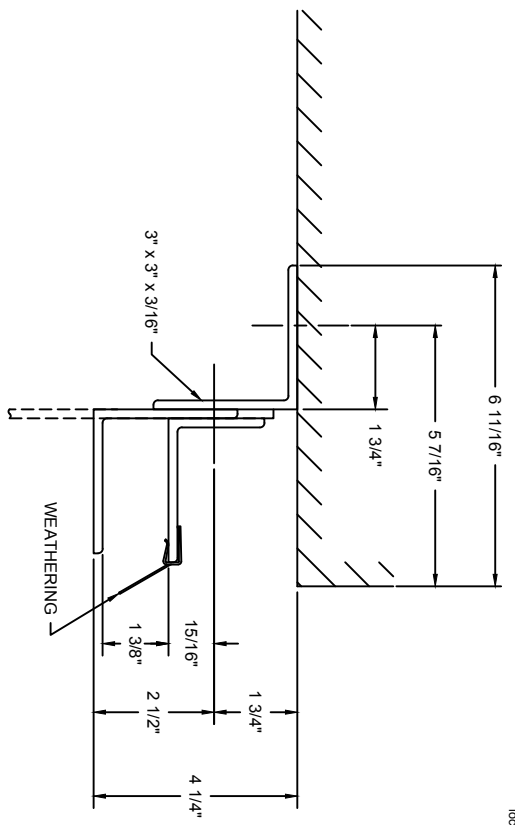
Electrical current must be verified in writing before job is released for manufacture; current verified and found correct. Operator bracket bracing required; unless operator is wall mounted.
Signed:



ELEVATION (COIL SIDE) AND SECTION VIEW
See drawing # Web09999028 001 B for guide detail.

10-28-2016		PRODUCT CODE:		MFW 6F 22GP	
MTR STD					
ORIGINAL DRAWING		03/23/17		KZZZ	
REVISION		DATE		BY	
JOB:		MGH MOTOR OPERATED ROLLING DOOR		Sample	
AGENT:		MODEL #:		JOB #:	
CONTRACTOR:		ESD30		Web09999028 001 A	
ARCHITECT:					

NOTE: Wall construction detail shown is for illustrative purposes only, does not imply compliance with building requirements, and must meet architectural specifications to properly support product. Products designed with wind load requirements must be properly fastened to structural members as specified in order to avoid catastrophic failure. Wall construction and closure installation shall be in accordance with the local authority having jurisdiction requirements.



GA0414 - 4 1/4"

WALL FASTENERS:

- AT 33" ON CENTER
- Ø3/8" x 3-1/2" SIMPSON WEDGE-ALL, MIN. 3000 PSI CONCRETE REQ'D
- MIN. EMBEDMENT DEPTH - 2-5/8"

ASSEMBLY FASTENERS:

- AT 36" ON CENTER
- Ø3/8-16 x 1 1/2" HEX HEAD CAP SCREW, GR. 5
- HEX HEAD NUT, GR. 5
- HARDENED FLAT WASHERS

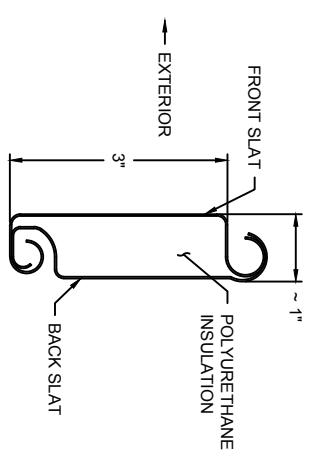
WALL FASTENERS:

- AT 33" ON CENTER
- Ø3/8" x 3-1/2" SIMPSON WEDGE-ALL, MIN. 3000 PSI CONCRETE REQ'D
- MIN. EMBEDMENT DEPTH - 2-5/8"

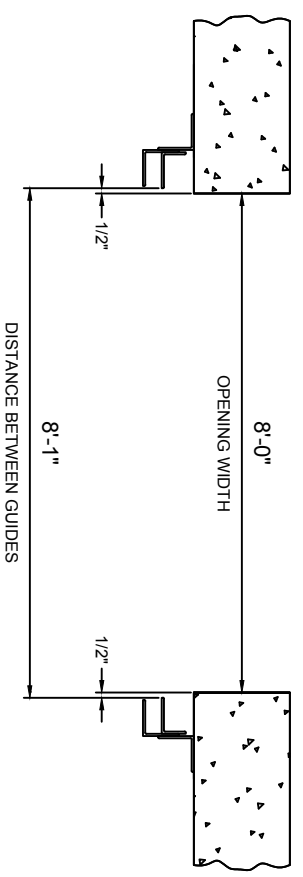
ASSEMBLY FASTENERS:

- AT 36" ON CENTER
- Ø3/8-16 x 1 1/2" HEX HEAD CAP SCREW, GR. 5
- HEX HEAD NUT, GR. 5
- HARDENED FLAT WASHERS

CP0001 SLAT



PLAN OF OPENING

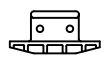


INSTALLERS NOTE:

MAINTAINING FACTORY SET GUIDE GAPS IS CRITICAL TO THE PROPER OPERATION OF THE DOOR AND ITS ABILITY TO WITHSTAND THE DESIGNED WINDLOAD!

ENDLOCK DETAIL

CP0407 MOLDED NYLON ENDLOCK ON ALTERNATING SLATS WITH 2 x 1/4" RIVETS.



CP0407

06-15-2016	PRODUCT CODE:
TD7_425	MFW 6F 22GP

MODEL #:	JOB #:
ESD30	Web09999028 001 B

#	REVISION	DATE	BY
---	ORIGINAL DRAWING	03/23/17	WEBBINGR

COOKSON Professional door solutions

JOB:	INSULATED SERVICE DOOR GUIDE ASSEMBLY, 4-1/4" PACKOFF
Sample	

AGENT:	CONTRACTOR:	ARCHITECT:
--------	-------------	------------