

MOTOR SPECIFICATIONS:

1/3 HP AlarmGard motor operator, UL listed. Operator includes open drip proof motor removable without resetting of limit switches. UL listed thermal overload protection, electric brake and rotary limit switches, transformer with 24 volt control secondary. all components pre wired to terminal block.

ALARM CURRENT REQUIREMENTS:

Normally closed contact that opens upon alarm.

CURRENT CHARACTERISTICS:

120 V 1 PH 60HZ
Electrical current must be verified in writing before job is released for manufacture; current verified and found correct. Operator bracket bracing required, unless operator is well mounted.
Signed:

ELECTRICAL EQUIPMENT LIST:

1 - Three button push button station 'OPEN-CLOSE-STOP' in NEMA 1 enclosure, surface mounted.
1 - Electric sensing edge w/ SJO coil cord.
NOTE - If a wireless sensing edge is used, the operator must be wired to gravity close on alarm.

BOTTOM BAR LOCKING:

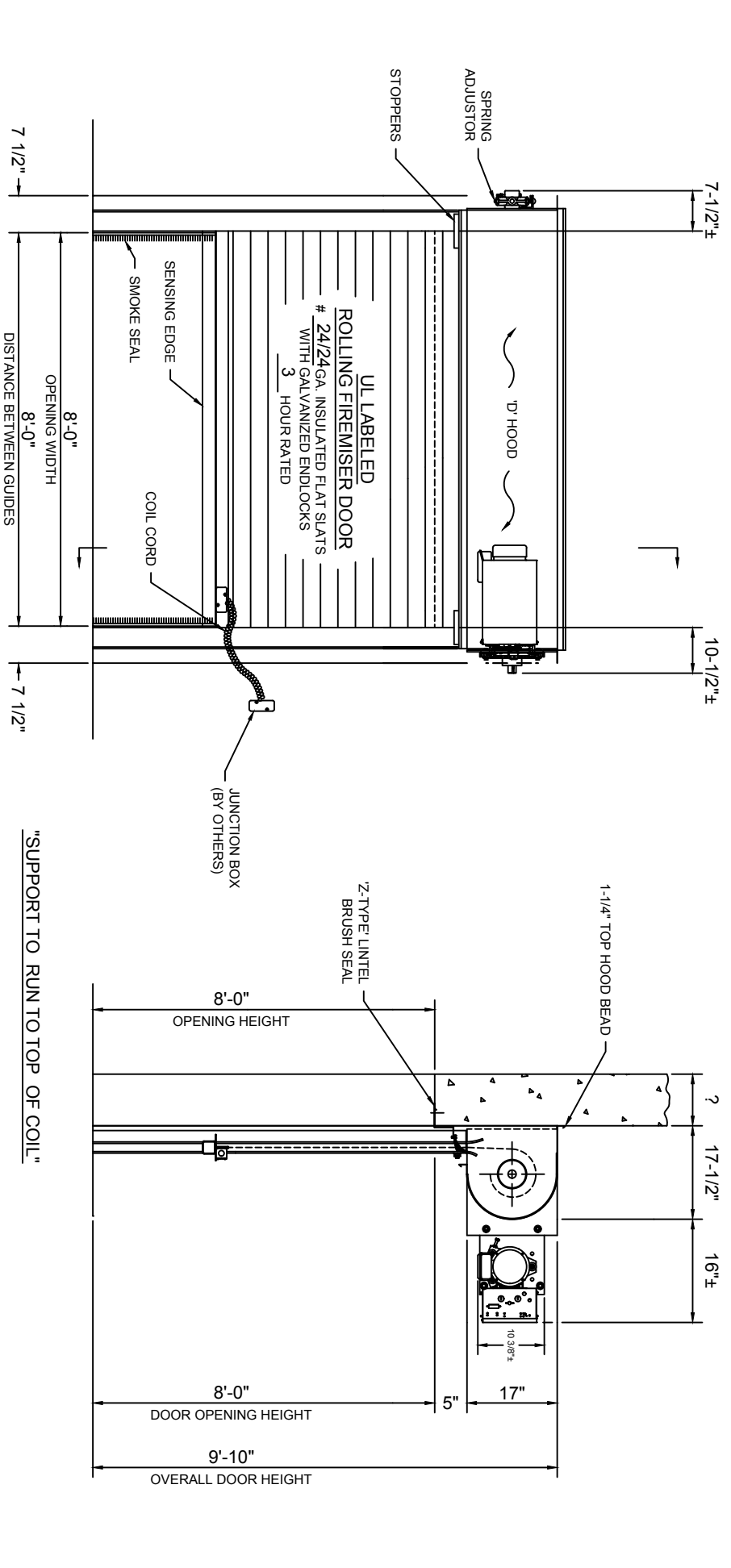
QUANTITY & MARK:

(1) 001

MATERIAL & FINISH:

Front slat - Galvanized steel with GalvanNex™ coating system. Finish color: Gray
Back slat - Galvanized steel with GalvanNex™ coating system. Finish color: Gray
Bottom Bar - Structural steel, polyester powder coating, color Standard Gray
Guides - Structural steel; Gray polyester powder coating
Hood - Galvanized steel with GalvanNex™ coating system. Finish color: Gray
Plain Steel - Powder coated gray

NOTE: This door NOT to be mounted in a required means of egress!

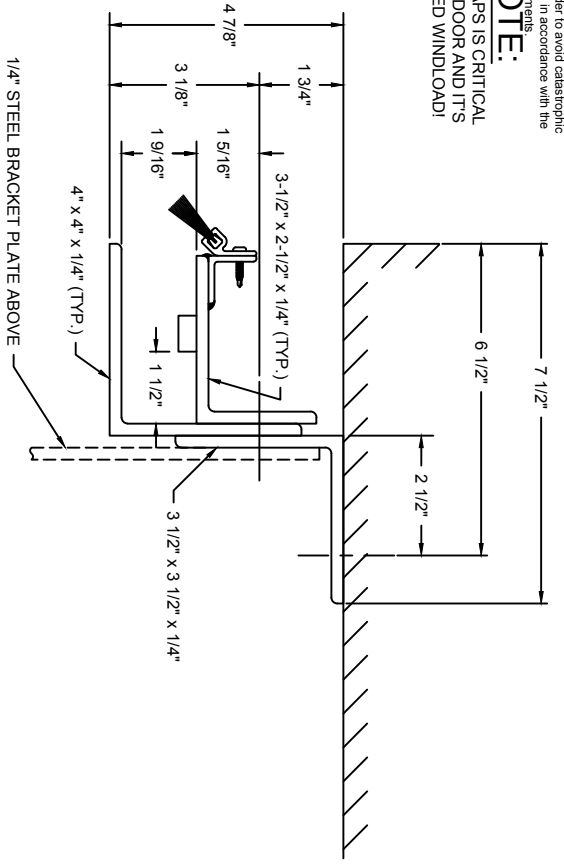
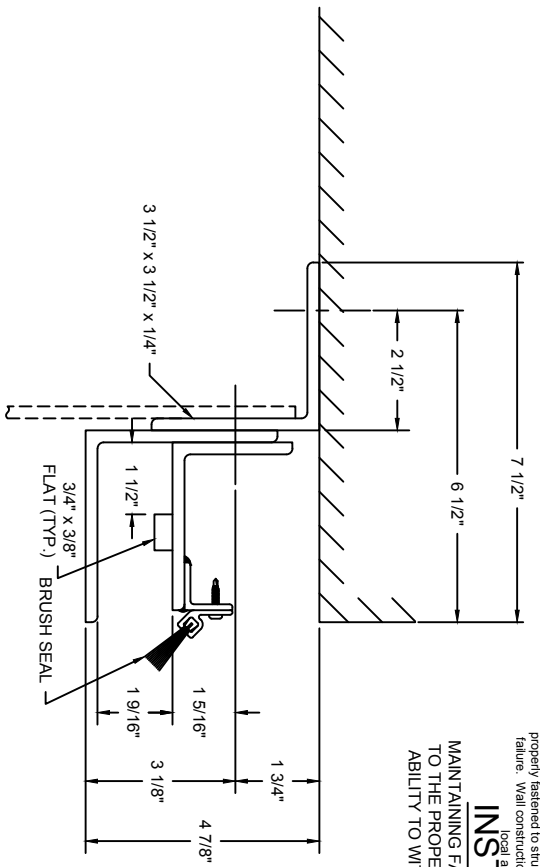


1-1-17-2016		PRODUCT CODE:	
INS_FDR		MFM 6M 44GP	
ORIGINAL DRAWING		03/29/17	
REVISION		DATE BY	
<p>ALARMGARD MOTOR OPERATED ROLLING FIREMISER DOOR</p> <p>SAMPLE - INSULATED FIRE DOOR</p>		AGENT:	
		CONTRACTOR:	
ARCHITECT:		MODEL #:	
		ERD21	
		JOB #:	
		Web0999360 001 A	



NOTE: Wall construction detail shown is for illustrative purposes only, does not imply compliance with building requirements, and must meet architectural specifications to properly support product. Products designed with wind load requirements must be properly fastened to structural members as specified in order to avoid catastrophic failure. Wall construction and closure installation shall be in accordance with the local authority having jurisdiction requirements.

INSTALLERS NOTE:
 MAINTAINING FACTORY SET GUIDE GAPS IS CRITICAL TO THE PROPER OPERATION OF THE DOOR AND ITS ABILITY TO WITHSTAND THE DESIGNED WINDLOAD!



GA0417 - 4 7/8"

GA0417 - 4 7/8"

WALL FASTENERS:

- AT 30" ON CENTER
- Ø1/2" x 5-1/2" SIMPSON WEDGE-ALL,
- MIN. 3000 PSI CONCRETE REQ'D
- MIN. EMBEDMENT DEPTH - 4-1/2"
- HARDENED FLAT WASHERS
- FLAT FIBER WASHER

ASSEMBLY FASTENERS:

- AT 22" ON CENTER
- Ø1/2-13 x 2" HEX HEAD CAP SCREW, GR. 8
- HEX HEAD NUT, GR. 8
- HARDENED FLAT WASHERS
- FLAT FIBER WASHER

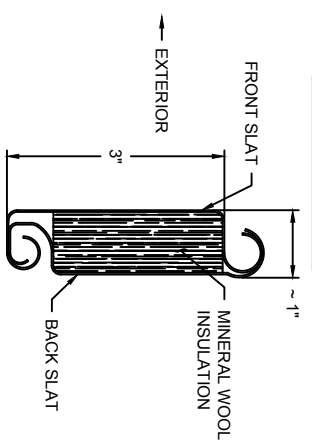
WALL FASTENERS:

- AT 30" ON CENTER
- Ø1/2" x 5-1/2" SIMPSON WEDGE-ALL,
- MIN. 3000 PSI CONCRETE REQ'D
- MIN. EMBEDMENT DEPTH - 4-1/2"
- HARDENED FLAT WASHERS
- FLAT FIBER WASHER

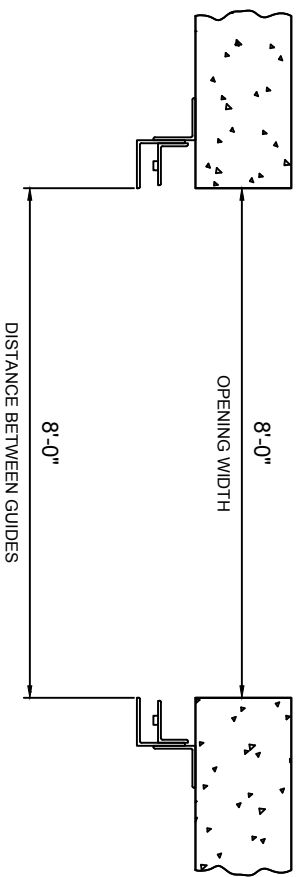
ASSEMBLY FASTENERS:

- AT 22" ON CENTER
- Ø1/2-13 x 2" HEX HEAD CAP SCREW, GR. 8
- HEX HEAD NUT, GR. 8
- HARDENED FLAT WASHERS
- FLAT FIBER WASHER

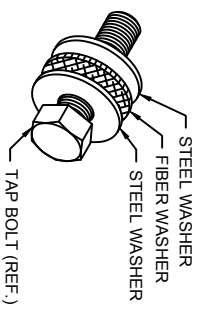
C651P SLAT



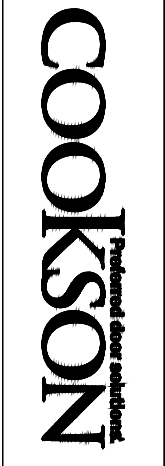
PLAN OF OPENING



WALL FASTENER WASHER DETAIL



12-05-2016		PRODUCT CODE:	
GFD7_487		MFM 6M 44GP	
ORIGINAL DRAWING		03/29/17	
REVISION		DATE	
		BY	



JOB#:		UL INSULATED FIRE DOOR	
		GUIDE ASSEMBLY, 5 3/4" PACKOFF	
		SAMPLE - INSULATED FIRE DOOR	

MODEL #:		JOB #:	
ERD21		Web09999360 001 B	
AGENT:			
CONTRACTOR:			
ARCHITECT:			