

ALL-RITE

DOCK & DOOR SYSTEMS INC.

For all the “*Rite*” Loading Dock Solutions

Rolling Steel Service Door

At All-Rite, we offer all types of parts for Rolling Doors and Operators

Advantages:

- Made in Canada for Canadian conditions
- Rugged curved slats or flat slats
- G90 galvanized finish that needs no further painting
- Structural angle guides and aluminum bottom bar are more durable and easier to repair than roll-formed shapes
- Steel plate brackets are more durable than stamped steel racket plates
- Optional prime painted hood and curtain is available
- Bolted barrel design for ease of repair
- Heavy-duty cast throats are more durable than stamped steel stops.
- Malleable iron self-aligning endlocks assure trouble-free operation.

Standard Features:

- Curved or flat slat curtain, 22, 20 or 18 ga.
- G90 galvanized finish
- Structural angle guides
- ¼” thick steel bracket plates
- Choice of operation (push-up, chain, crank, motor)
- Heavy-duty cast gears on chain-operated doors
- Oiled tempered torsion springs, designed for 50,000 cycles
- Cast iron stops
- Designed for 20 PSF windload
- 1 Year warranty

Options:

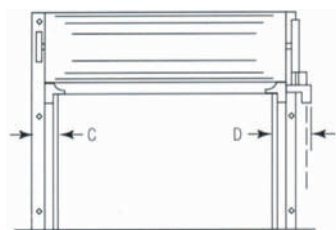
- A range of motor operators and controls
- Featheredge or Phantom Featheredge
- Powder Coat Finish available in 180 standard colors
- Special construction for extremely high cycle applications



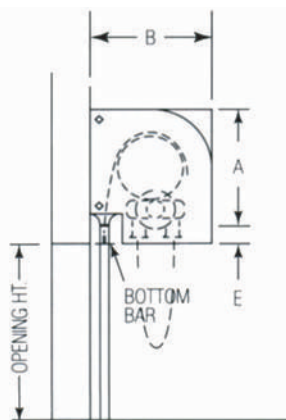
Benefits:

- Heavy-duty construction assures years of trouble-free performance
- Manufactured for ease of installation
- Standard features exceed industry standards
- Best value for the price

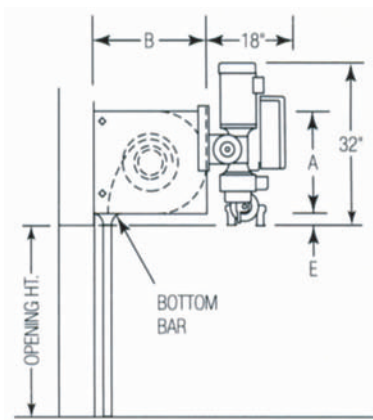
TYPICAL DETAILS



Elevation

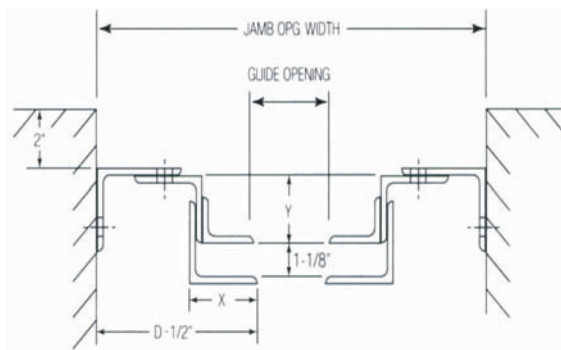
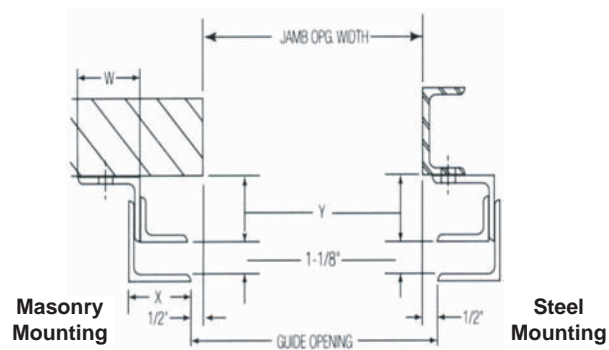


FC Chain

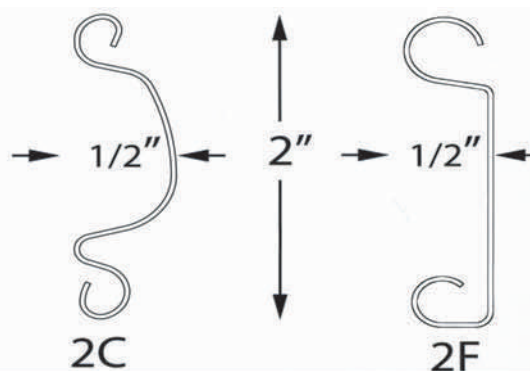
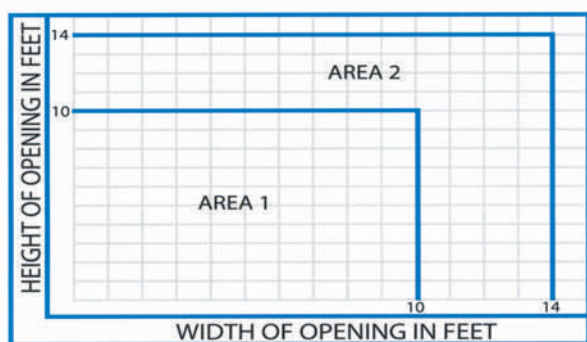


FM Gearhead Vertical Motor

GUIDE DETAILS



AREA CHART



DOOR CLEARANCE CHART

Area	Dimensions in inches								
	Slat	A	B	C	D	E	W	X	Y
1	2C/2F	13"	14"	6"	8"	5½"	2½"	2½"	2½"
1	3C/3F	15"	16"	6"	8"	5½"	2½"	2½"	2½"
2	2C/2F	15"	16"	6"	8"	5½"	2½"	2½"	2½"
2	3C/3F	18"	19"	6"	8"	5½"	2½"	2½"	2½"
3	3C/3F	20"	21"	8"	9"	5½"	2½"	3"	3"