

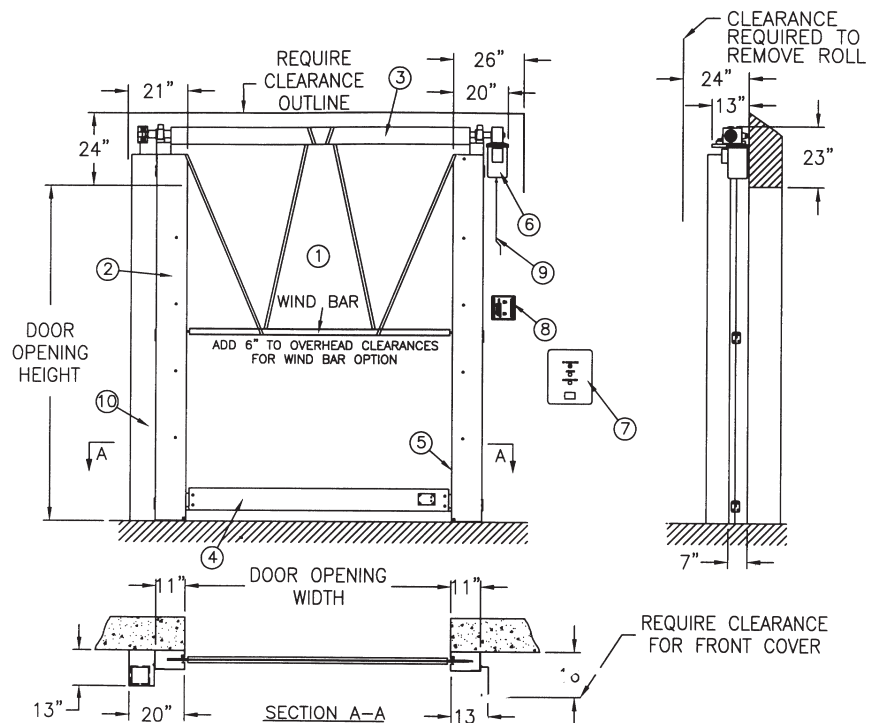
ALL-RITE

DOCK & DOOR SYSTEMS INC.

For All The "Rite" Loading Dock Solutions

Model 8500S Hi-Speed Vinyl Door

CLEARANCE REQUIREMENTS



- DESCRIPTION
- 1- 2.5mm THICK "ATMOTUFF" MONOFILAMENT
 - 2- STEEL UPRIGHT C/W HINGED FRONT COVER
 - 3- FABRIC ROLL DRUM
 - 4- BOTTOM BAR C/W "SUPEREDGE SENSOR"
 - 5- THRESHOLD PHOTO EYE-THROUGH BEAM
 - 6- MOTOR C/W BRAKE AND GEARBOX
 - 7- NON METALLIC NEMA 4X CONTROL PANEL C/W SERVICE SWITCH, GREEN DOOR ACTIVATOR AND RED MUSHROOM EMERGENCY STOP
 - 8- "SUPERLOGIC" CONTROLLER
 - 9- MANUAL CRANK HANDLE (STANDARD)
 - 10- COUNTER WEIGHT WITH COVER